

英語科九年級上學期第一次段考答案卷

班級 _____ 座號 _____ 姓名 _____

選擇	
非選擇	
總分	

六、課文默寫 12% (一句 4 分，一字一分，位置不對不給分，大小寫不對也不給分)

39		45		55	
40		46		56	
41		47		57	
42		48		58	
43		49		59	
44		50		60	
		51		61	
		52		62	
		53			
		54			

七、請依文章填入正確的(助)動詞形式，若有需要請做適當的改變 (所以空格可能填一或兩個

字) 6%

63	
64	
65	

八、依提示作答 6% (每題 2 分 錯 1 字扣 1 分)

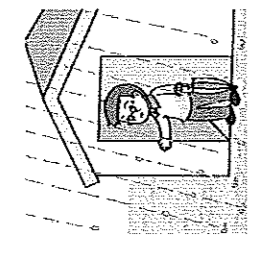
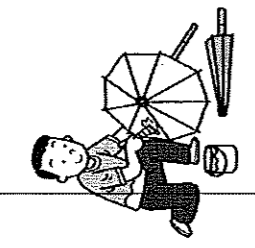
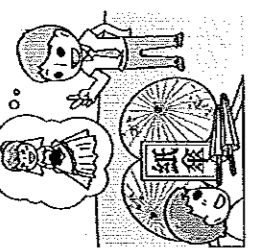
1	
2	
3	

武崙國中 105 學年度上學期英語科九年級第一次段考

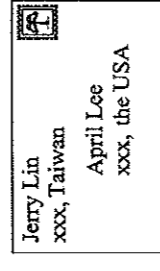
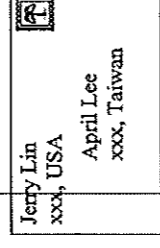
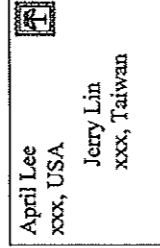
一、聽力測驗:22%

(一)根據 CD 內容，選出與聽到內容相符的圖片 10%

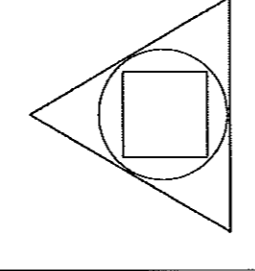
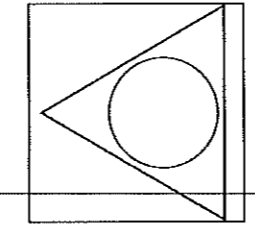
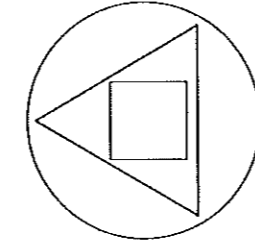
(1)

		
A ()	B ()	C ()

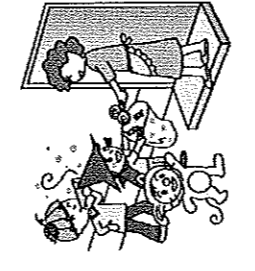


(2)

		
A ()	B ()	C ()




(3)

		
A ()	B ()	C ()

(4)

		
A ()	B ()	C ()

(5)

		
A ()	B ()	C ()

(二) 選出最適當的答句或回應句 10%

- 6 (A) Yes, many times.
 (B) No, I don't use paper umbrellas.
 (C) Yes, umbrellas are perfect gifts

- 7 (A) I bought a Hakka umbrella last year in the museum.
 (B) Can I? I've never visited it before, and I really want to go.
 (C) Of course. Hope to hear from you in a short time.
- 8 (A) I need a belt because the dress is too big.
 (B) Oh, thank you. This dress is my size.
 (C) I'm not sure. Maybe size M or L.
- 9 (A) You're right. Triangle will be better.
 (B) Me, either. And the next one is full of circles. Well, that's art!
 (C) All the pictures in the museum are all squares.
- 10 (A) Sounds great!
 (B) Well, I have no idea at all.
 (C) I need to buy a new dress for your wedding.
- (三) 根據對話內容，選出正確的答案。2%
- 11 (A) The present for Bruno Mars.
 (B) The way to make paper umbrellas.
 (C) Bruno Mars's concert.

聽力測驗到此結束

二、文意字彙，請選出最適當的答案 12%

12. () A: Stop eating candy! You will get fat easily.
 B: _____ . They are so delicious.
 (A) Let's go trick-or-treating
 (B) I can't help it
 (C) I haven't heard of this
 (D) So far so good
13. () A: How far is it from the bus station to the shopping center?
 B: It's about five _____ .
 (A) kilometers (B) lessons
 (C) combs (D) papers
14. () Andy: Someone is ringing the _____ .
 Patty: No, it's just the wind.
 (A) donations (B) doorbell
 (C) language (D) shape
15. () I would like to buy _____ tables because I don't like round ones.
 (A) round (B) perfect
 (C) quite (D) square
16. () Do you know the _____ of this new student?
 (A) background (B) round
 (C) brain (D) yard
17. () She decides to get _____ with her new boyfriend.
 (A) marry (B) possible
 (C) separate (D) married

三、文法與對話選擇，請根據題意選出最適當的答案 26%

- () 18. The dragon has a long body, _____ it?
 (A) hasn't (B) haven't
 (C) wasn't (D) doesn't
- () 19. A: We have been good friends _____ I was ten.
 B: Wow! We have been good friends _____ ten years.
 (A) for, since (B) since, for
 (C) for, for (D) since, since
- () 20. A: Why did you buy so many snacks?
 B: I think watching movies all night must be _____, so I bought these for us two.
 (A) interest (B) interested
 (C) boring (D) bored
- () 21. Mary broke the window, _____ ?
 (A) didn't she (B) doesn't she
 (C) isn't she (D) did she
- () 22. There is no circle in the picture, _____ ?
 (A) is they (B) is there
 (C) isn't they (D) isn't there
- () 23. Although the rich man has everything, he still feels bored _____ his life and wants to try something new.
 (A) in (B) about
 (C) with (D) at
- () 24. These reporters have never seen a whale, _____ ?
 (A) have these (B) haven't these
 (C) have they (D) haven't they
- () 25. All the ninth graders are so _____ about the coming graduation (畢業) trip that they just can't stop talking about it.
 (A) excited (B) exciting
 (C) scared (D) interesting
- () 26. People in Taiwan believe _____ ghosts come out only at a certain time of the year.
 (A) there (B) this (C) that (D) it
- () 27. A: Do you like scary movies?
 B: No, _____. I like action movies better.
 (A) They are scary enough.
 (B) I am afraid I do.
 (C) What a way to kill time!
 (D) They are not my cup of tea.
- () 28. Our teacher was happy that all the students _____ the test.
 (A) have passed (B) will pass
 (C) passed (D) pass
- () 29. A: Did you enjoy the movie last night?
 B: Oh, sure. _____
 (A) I can't make heads or tails of everything in it.
 (B) It's a piece of cake, isn't it?
 (C) I had a whale of a time.

(D) It really made no sense.

() 30. A: _____

B: He'll dress up as Batman.

(A) Will your brother wear a mask to the Halloween party?

(B) The Halloween party is around the corner. What will your brother do?

(C) What will you dress up at the Halloween party?

(D) Your brother looks bored with going trick-or-treating, doesn't he?

四、克漏字 6%

Shu-mei is in the third year of senior high school. She is very good at singing and 31. many prizes (獎賞) in the past few years with her beautiful voice. Although Shu-mei always gets good grades at school, she does not want to spend too much time studying. She 32. singing more than studying. Her biggest dream is to become a great singer in the future. Shu-mei's parents have sent her to a music teacher to learn singing, and Shu-mei 33. hard every day. She hopes she can get into a music school to study singing after she finishes high school.

(98 基測 II)

- () 31 (A) wins (B) was winning (C) has won (D) is going to win
- () 32 (A) loves (B) loved (C) is loving (D) will love
- () 33 (A) practices (B) practiced (C) has practiced (D) is going to practice

五、閱讀測驗 10%

* 1

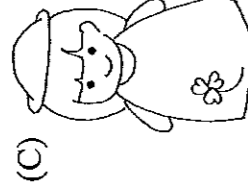
Many people enjoy eating cookies; however, Jessica likes to collect cookie jars. She has hundreds of them. They come in different shapes of many things – cats, frogs, cows, horses, and flowers. She even has a jar looking like a little girl – the most special jar in her home and she likes it best. Interestingly, her mother likes to make cookies. Every time when she makes cookies for Jessica and her sisters, Nancy and Doris, **she** puts them in the “Girl” jar. When they take the cover of the jar off, it will say “Yummy”. Therefore, they think eating cookies is fun!

jar 罐子 cover 蓋子 therefore 因此

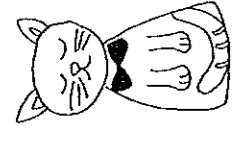
() 34 What is Jessica's favorite cookie jar?



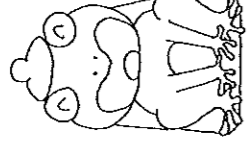
(A)



(C)



(B)



(D)

() 35. What does “**she**” mean?

- (A) Nancy. (B) Doris.
 - (C) Jessica. (D) Jessica's mother.
- () 36. What is the best title for the reading?
- (A) Making Cookies Is Fun.
 - (B) Jessica And Her Cookie Jars.
 - (C) The Shapes of Cookie Jars.
 - (D) The Way to Make Cookie Jars. title 標題

* 2

Taylor Swift is a famous singer, songwriter and actress. Here is some information about her life



1989	She was born in <u>Pennsylvania</u> , the USA. Her father is a businessman, and her mother is a housewife. She also has a brother, <u>Austin</u> .
2000	The first time for her to win on a talent contest.
2001	She learned to play the guitar and to write songs.
2003	Her family moved to <u>Tennessee</u>
2006	She had her <u>self-titled album</u> to start her job as a country music singer.
2008	She had her second album, <u>Fearless</u> .
2009	“ <u>Fearless</u> ” became the best-selling album of 2009. The album won four <u>Grammy Awards</u> .
2015	She became the youngest woman on <u>Forbes' "100 Most Powerful Women"</u> list.
2016	Her album, 1989, took the album of the year at the 2016 <u>Grammy Awards</u> .
<input type="checkbox"/> born 出生	
<input type="checkbox"/> self-titled album 同名專輯	
<input type="checkbox"/> album 專輯	
<input type="checkbox"/> Grammy Awards 葛萊美獎	
<input type="checkbox"/> Forbes 富比士雜誌	

() 37. When did Taylor Swift have her second album “Fearless”?

(A) Age 11 (B) Age 18 (C) Age 19 (D) Age 21

() 38. What is true about the reading?

- (A) Taylor was born and grew up in the same place.
(B) There are five people in Taylor's family.
(C) Taylor liked to play the piano when she was young.
(D) She got Grammy Awards when she was 20.

六、 課文默寫 12% (一句 4 分，一字一分，位置不對不給分，大小寫不對也不給分)

1. 希望很快收到您的回信。

(39) (40) (41) (42) (43) (44)

2. 他們協助我們的腦獲取資訊以瞭解身邊周遭的世界。They (45) (46) (47) our (48) to (49) (50) (51) the (52) (53) (54).

3. A: 你科學報告做得怎樣? B: 目前為止都很好

A: (55) your (56) (57) (58)? B: (59) (60) (61) (62)?

七、 請依文章填入正確的(助)動詞形式，若有需要請做適當的改變 (所以空格可能填一或兩個字) 6% (每格 2 分)

1. A: Don't forget to tell your brother to be here on time.

B: OK, don't say this again. I (63) (tell) him several times.

2. My brother doesn't live with us. He (64) (move) out after he got married. (基測 95)

3. Kevin (65) (do) the dishes yet.

八、 依提示作答 6% (每題 2 分 錯 1 字扣 1 分)

1. My parents have lived here for fifteen years.
(依畫線部分造原問句)

2. No one knew it. The man was a famous writer.
(用 that 合併句子)

3. Your sister will prepare dinner for you. (加入附加問句)